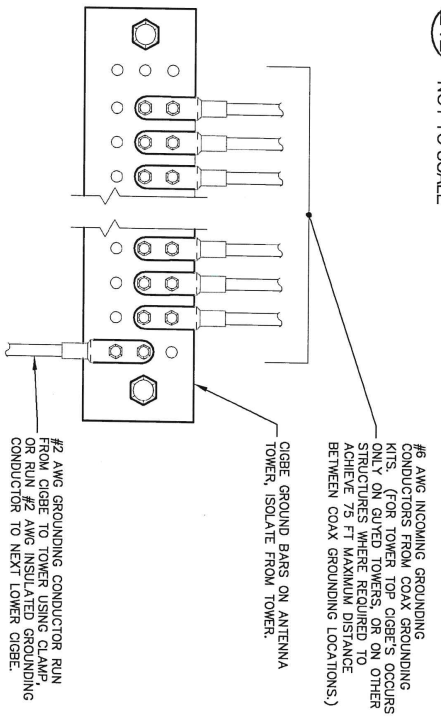
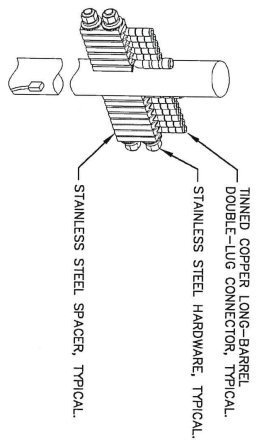


1 BAR NONE GROUNDED BEAM CLAMP (TDSGA-BC14)
E12 NOT TO SCALE

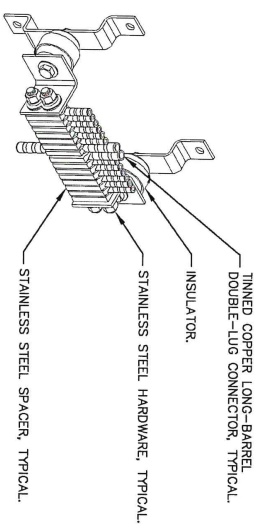


3 ANTENNA GROUND WIRE INSTALLATION DETAIL
E12 NOT TO SCALE

- NOTES:
1. ALL CIGBE GROUND BARS ON TOWER ARE TO BE ERICO TDSGA, TYPICALLY USE TDSGA-WB17 ISOLATED FROM UNSTRUCT BRACKET.
 2. IF CIGBE CANNOT BE CONNECTED TO TOWER WITH #2 AWG GROUNDING CONDUCTOR VIA CLAMP OR EXOTHERMIC WELD, THEN RUN #2 AWG BLACK GROUND LEAD WITH NON-METALLIC TIES AT SAME SPACING AS COAX SUPPORTS.



2 BAR NONE POST MOUNTED (TDSGA-PA14)
E12 NOT TO SCALE



4 BAR NONE INSULATED (TDSGA-WB17)
E12 NOT TO SCALE

verizon
1000 OLD ALABAMA ROAD CONNECTOR
ALPHARETTA, GEORGIA 30022

PROJECT INFORMATION:
SITE NAME:
OLD STATE ROAD
SITE NO.: 502591
FLUZE PROJECT#: 15925785
6000 HOPE CIRCLE
LOWMEYER COUNTY

PLANS PREPARED BY:
Kimley-Horn
11720 AMBER PARK DRIVE, SUITE 400
PHOENIX, ARIZONA 85028
PHONE: 772-878-4280
WWW.KHLEI-10891.COM

REV: _____ DATE: _____ ISSUED FOR: _____ BY: _____

7	
6	
5	
4	
3	
2	
1	0 05/16/20 CONSTRUCTION (CCH)
A	05/12/20 PRELIMINARY (CCH)

LICENSE#: _____

KHA PROJECT NUMBER:
013509094
DRAWN BY: _____ CHECKED BY: _____
TDM _____ WCE _____
SHEET TITLE:
GROUNDING
DETAILS
SHEET NUMBER:
E12